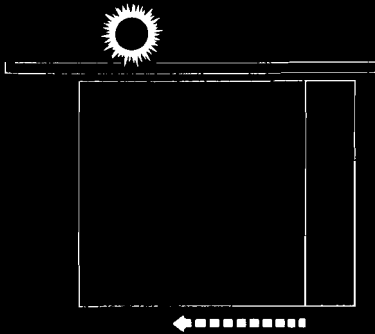


*Read  
This*



**GENERAL  
OPERATOR  
WIRING  
AND CONTROL  
INFORMATION**

**Aut-o-door®**

**1265 and 1266  
SLIDE DOOR  
OPERATORS**



**CROWN INDUSTRIAL OPERATORS**  
formerly Richards-Wilcox

213 Michelle Court  
South San Francisco, CA 94080  
(650) 952-5150  
Fax: (650) 873-1495

**G-997-R1**

CONTENTS	PAGE
<hr/>	
<u>INTRODUCTION AND GENERAL NOTES</u> .....	3
 <u>OPERATOR &amp; REVERSING STARTER WIRING</u>	
208/230/460 Volts - 60Hz-3 Phase .....	4
230 Volts - 60Hz-1 Phase .....	5
115 Volts - 60Hz-1 Phase .....	6
 <u>CONTROL WIRING</u>	
“Open”-“Close” Pushbutton .....	7
“Open”-“Stop”-“Close” Pushbutton .....	8
Momentary Impulse-Timer Control .....	9
Momentary Impulse-Sequence Relay Control .....	10
<hr/>	

---

**NOTE:** We reserve the right to modify or change, without prior notice, any statements or information contained herein. If exact dimensions or specifications are required by the customer, certified prints will be furnished without charge upon request to Richards-Wilcox. This manual covers standard catalogued operators only and does not cover special non-standard equipment.

---

## INTRODUCTION

No. 1265 and 1266 Slide Door Electric Operators are supplied factory prepared for site wiring. The purpose of this booklet is to provide wiring diagrams and instructions for the most popular of the control systems. The booklet is to be used in connection with the installation Manual (G-996) supplied with each operator.

## GENERAL NOTES

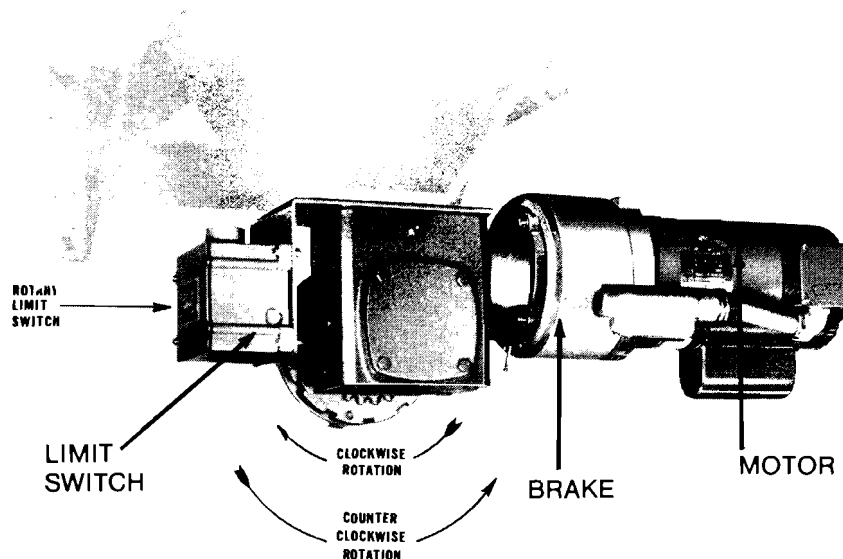
Wiring diagrams have been prepared to illustrate conditions with the door in the fully closed position. On the "Operator and Reversing Starter Wiring" pages 4 through 6 solid lines have been used to denote factory wiring and dotted lines site wiring. On the diagrams of "Control Wiring" pages 7 through 10, heavy weight lines have been used to show site wiring and lighter weight lines to denote factory wiring. On the "control wiring" diagrams, control circuit transformers have been shown. Control circuit transformers are not provided with operators intended for use on 115 volt power supplies where control circuit power connections are to be made directly across the line. See general installation instruction manual (G-996) for establishing proper direction of door travel.

### WARNING

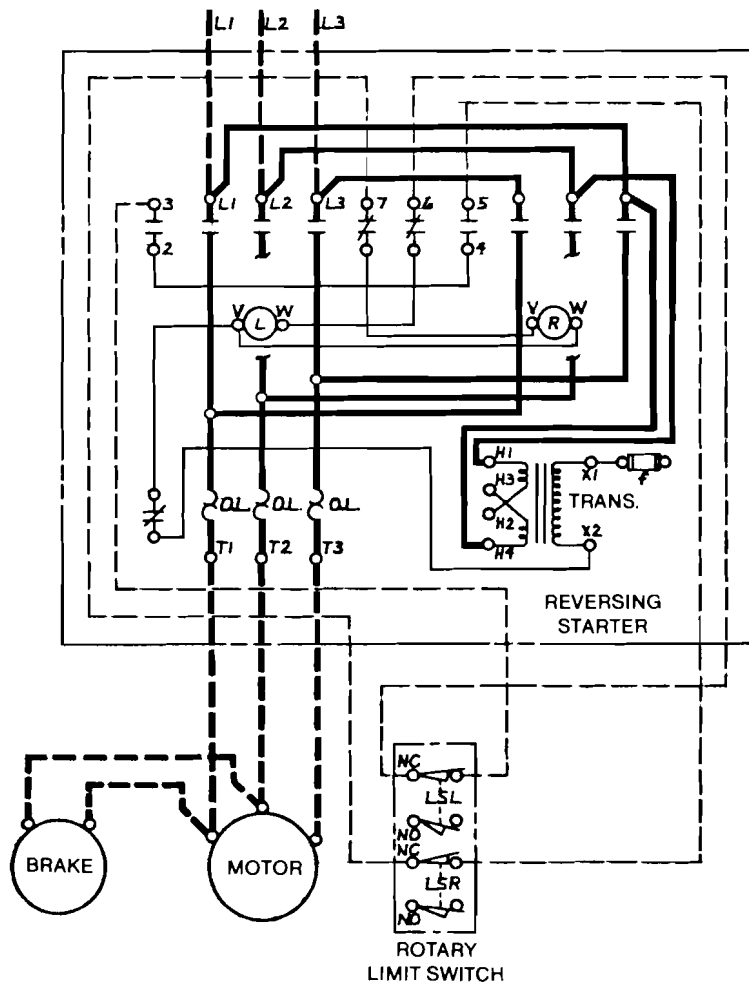
The operator is tested at the factory for a specified voltage and is marked as such. Check to insure that your power source is the same as shown on the packing list from the packing list envelope.

### WARNING

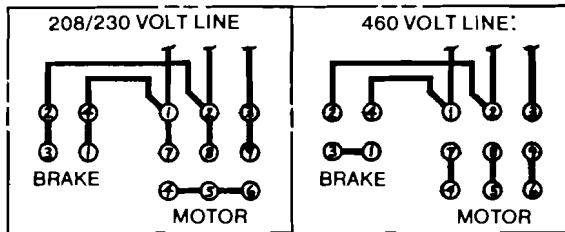
**BE SURE ALL POWER IS ALWAYS OFF WHILE WIRING OR SERVICING OPERATOR. UPON APPLYING POWER, SOME ELECTRICAL OPERATOR CONTROL CIRCUITS CAN CAUSE IMMEDIATE OPERATION. INSURE THAT THE PATH OF THE DOOR IS FREE FROM OBSTRUCTIONS AND PERSONNEL BEFORE TURNING POWER ON.**



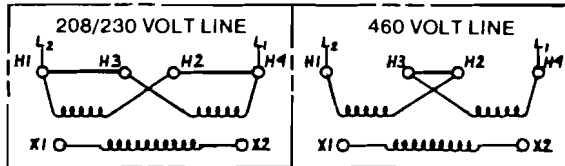
208/230-460 VOLTS THREE PHASE



BRAKE & MOTOR CONNECTIONS



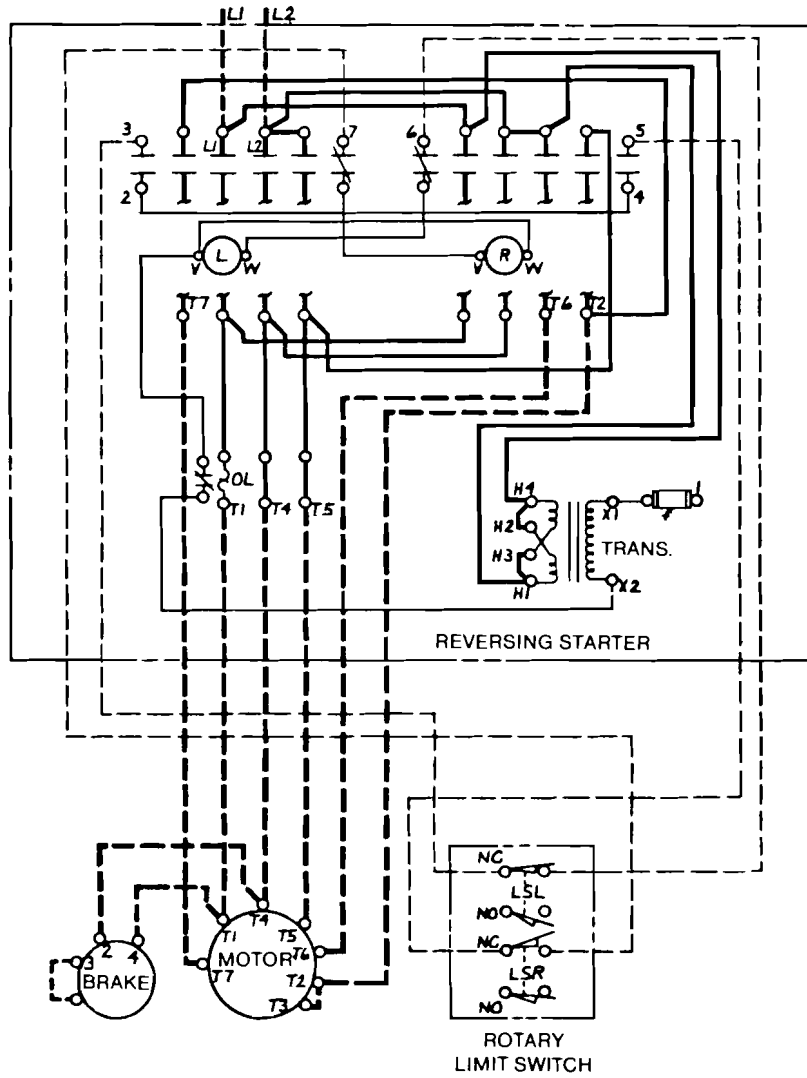
TRANSFORMER CONNECTIONS



OPERATOR AND REVERSING STARTER WIRING  
FOR 208/230/460 VOLTS - 60 HERTZ - 3 PHASE  
POWER SUPPLIES

**WIRING CODE**  
Solid Lines — Factory Wiring  
Dotted Lines — Site Wiring

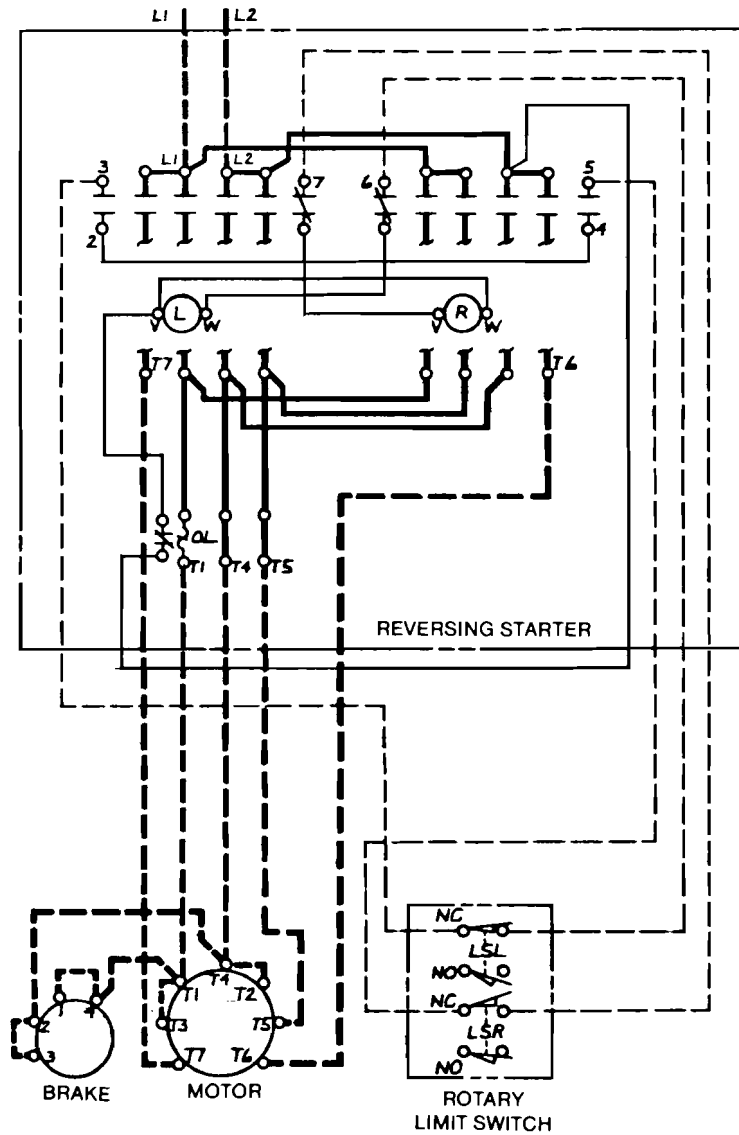
230 VOLTS SINGLE PHASE



OPERATOR AND REVERSING STARTER WIRING  
FOR 230 VOLTS - 60 HERTZ - 1 PHASE  
POWER SUPPLIES

**WIRING CODE**  
Solid Lines — Factory Wiring  
Dotted Lines — Site Wiring

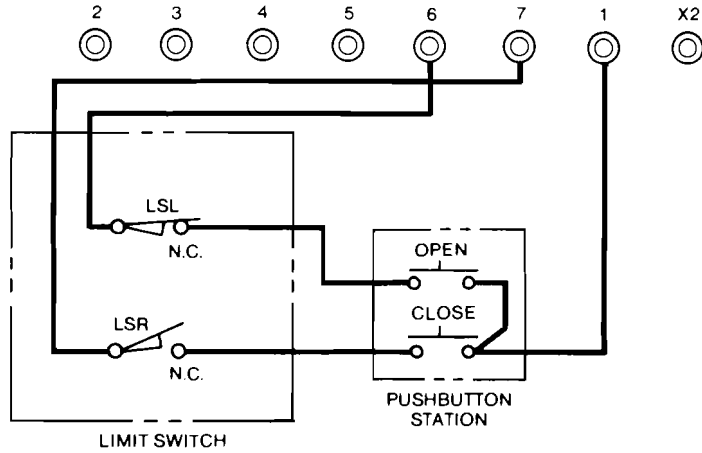
115 VOLTS SINGLE PHASE



OPERATOR AND REVERSING STARTER WIRING  
FOR 115 VOLTS - 60 HERTZ - 1 PHASE  
POWER SUPPLIES

**WIRING CODE**  
Solid Lines — Factory Wiring  
Dotted Lines — Site Wiring

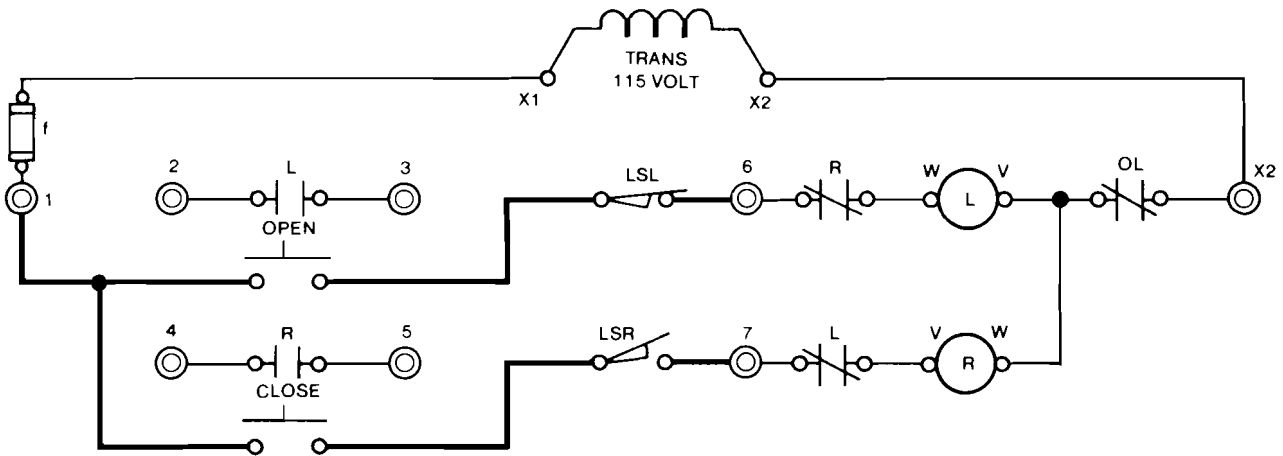
REVERSING STARTER TERMINALS



NOTE:

On 115 volt power source terminal #1 is L1 and terminal #X2 is L2.

SITE WIRING



Wiring is shown for door movement to the left to open. If door opens to the right, wire the open button to LSR limit switch and wire the close button to LSL limit switch contact.

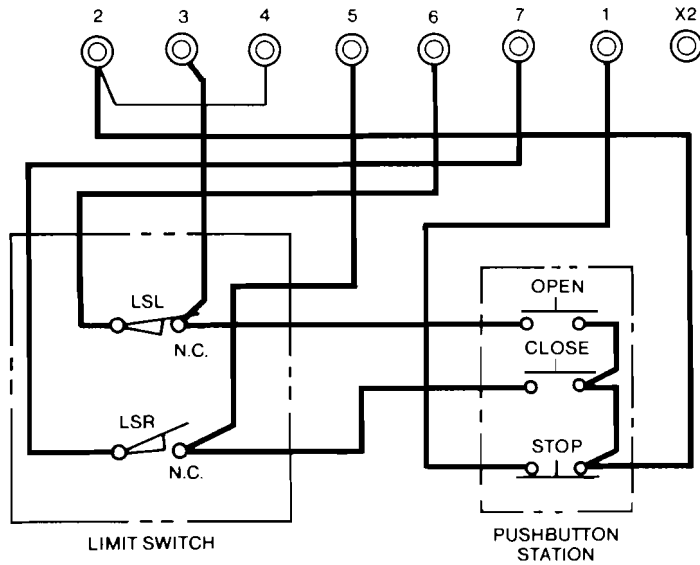
CONTROL WIRING

WIRING DIAGRAMS FOR "OPEN"- "CLOSE" PUSHBUTTON CONTROL OF OPERATOR R-W CLASS "A" WIRING CIRCUIT

**WIRING CODE**  
 Heavy Lines — Site Wiring  
 Lighter Lines — Factory Wiring

Additional control stations may be applied to this control circuit by wiring them in parallel with the pushbutton station shown.

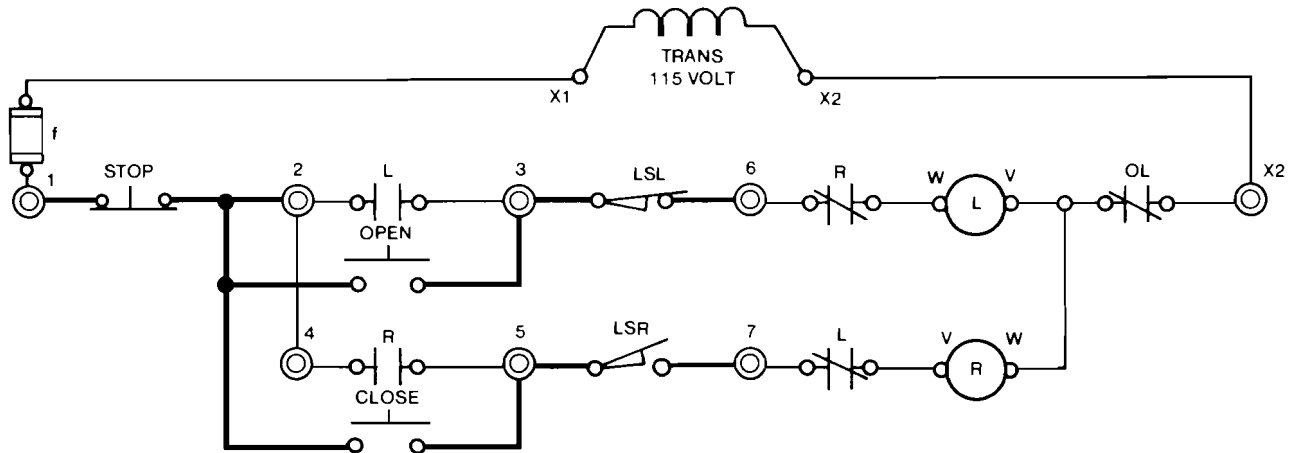
REVERSING STARTER TERMINALS



NOTE:

On 115 volt power source terminal #1 is L1 and terminal #X2 is L2.

SITE WIRING



Wiring is shown for door movement to the left to open. If door opens to the right, wire the open button to reversing starter terminal #5 and the close button to reversing starter terminal #3.

CONTROL WIRING

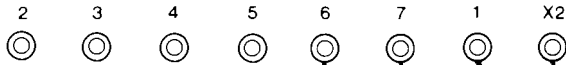
WIRING DIAGRAMS FOR "OPEN"-"CLOSE"-"STOP" PUSHBUTTON CONTROL OF OPERATOR R-W CLASS "B" WIRING CIRCUIT

**WIRING CODE**  
 Heavy Lines — Site Wiring  
 Lighter Lines — Factory Wiring

Additional control stations may be applied to this control circuit by wiring the "Stop" contacts of all stations in series with the "Stop" pushbutton shown. Wire "Open" and "Close" contacts in parallel with "Open" and "Close" pushbutton shown. Note that all "Stop contacts" must be wired in series in the wire from terminal number 1 prior to supplying "Open" or "Close" contacts.

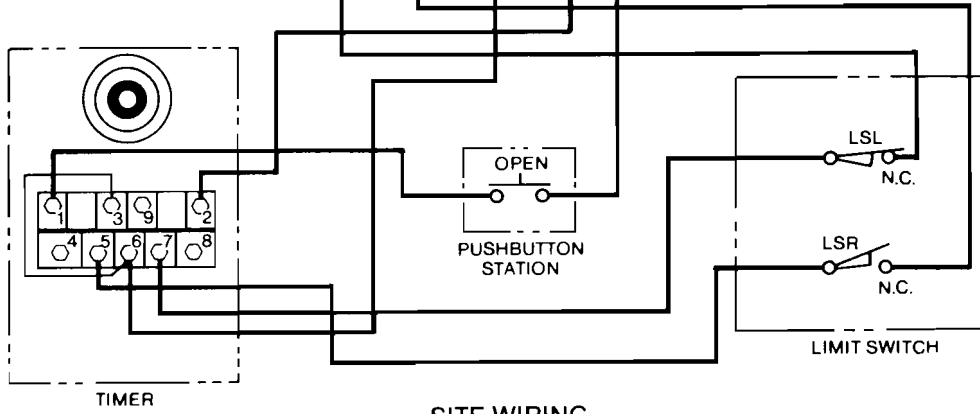


REVERSING STARTER TERMINALS

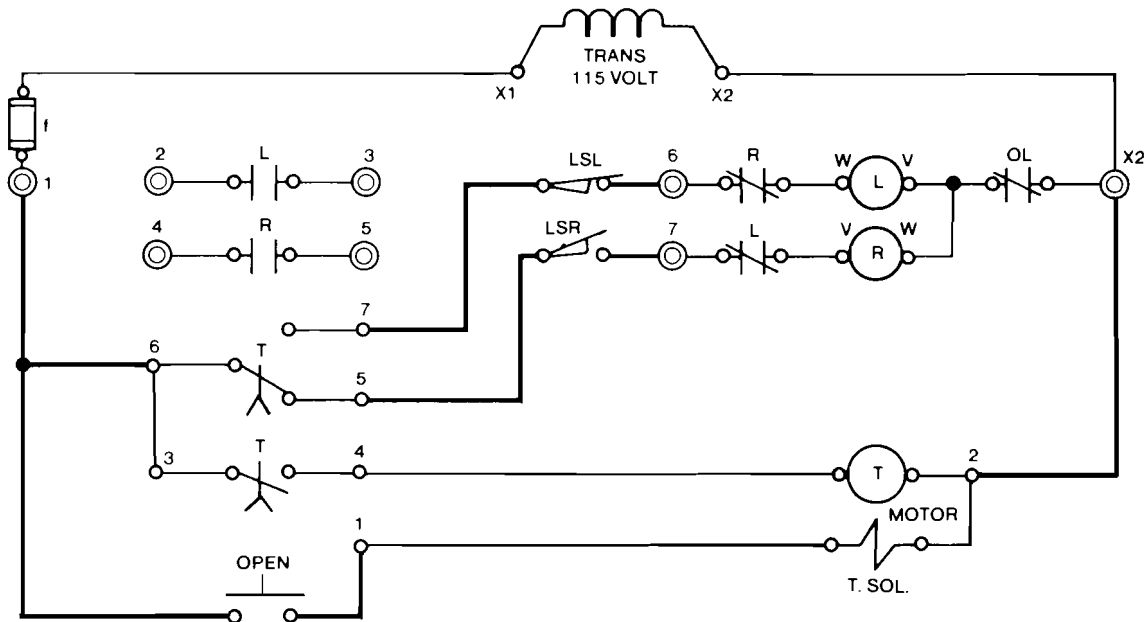


NOTE:

On 115 volt power source terminal #1 is L1 and terminal #X2 is L2.



SITE WIRING



Wiring is shown for door movement to the left to open. If door opens to the right, wire timer terminal #7 to LSR limit switch and timer terminal #5 to LSL limit switch

CONTROL WIRING

WIRING DIAGRAMS FOR MOMENTARY IMPULSE - TIMER CONTROL OF OPERATOR R-W CLASS "C" WIRING CIRCUIT

WIRING CODE  
 Heavy Lines — Site Wiring  
 Lighter Lines — Factory Wiring

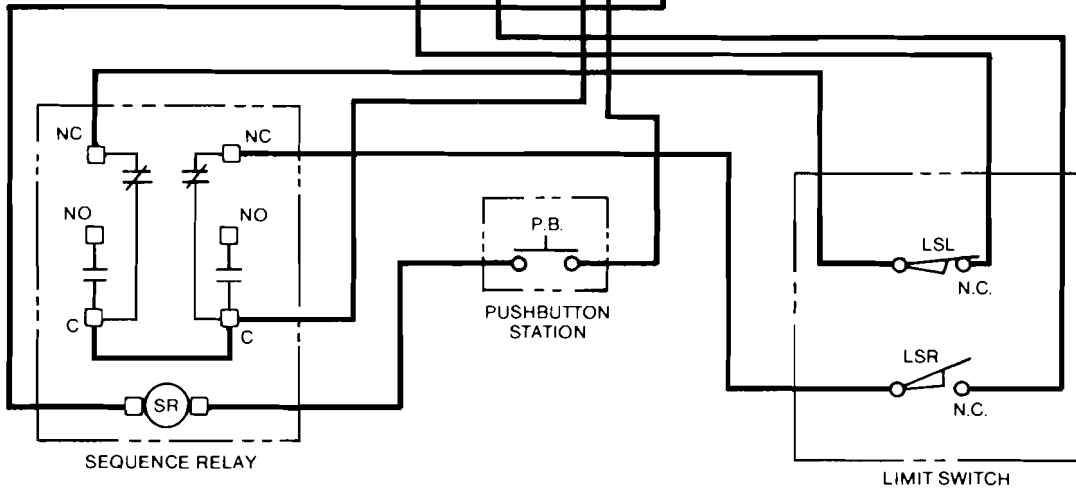
Additional single impulse devices may be applied to this control circuit by wiring their control contacts in parallel with the pushbutton contact shown.

REVERSING STARTER TERMINALS

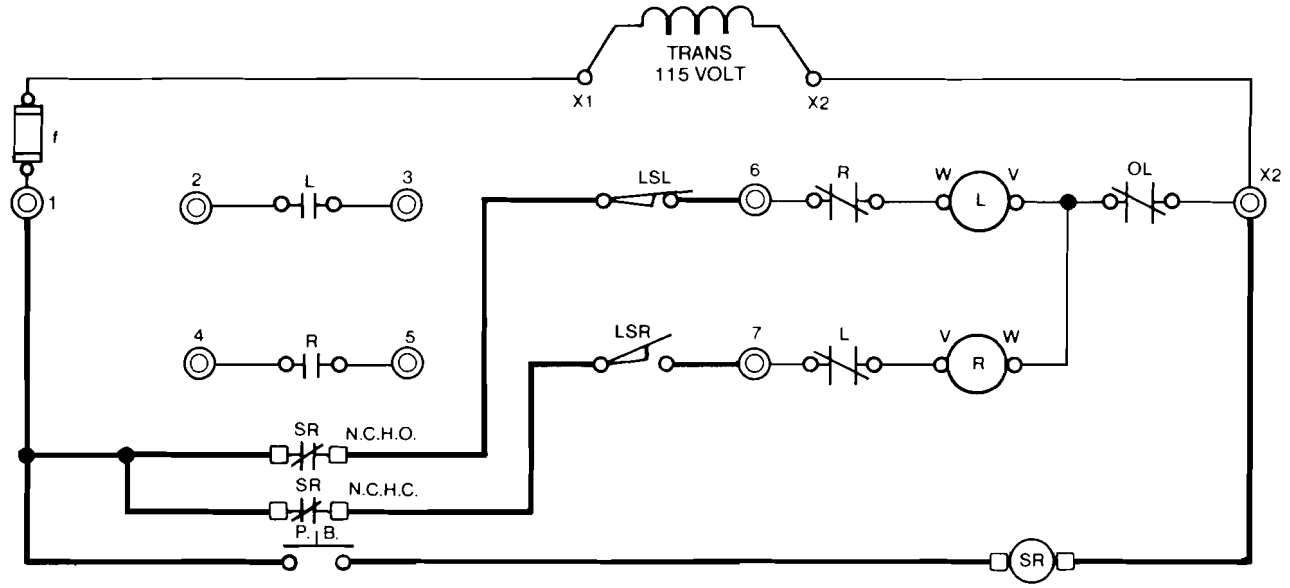


NOTE:

On 115 volt power source terminal #1 is L1 and terminal #X2 is L2.



SITE WIRING



CONTROL WIRING

WIRING DIAGRAMS FOR MOMENTARY IMPULSE - SEQUENCE RELAY CONTROL OF OPERATOR R-W CLASS "D" WIRING CIRCUIT

**WIRING CODE**  
 Heavy Lines — Site Wiring  
 Lighter Lines — Factory Wiring

Additional single impulse devices may be applied to this control circuit by wiring their control contacts in parallel with the pushbutton contact shown.

# NOTES

# MAINTENANCE INFORMATION

(To Be Filled Out By User)

Operator Serial Number 1265-E-\_\_\_\_\_ H.P. \_\_\_\_\_

Supplied on R.W. Order Number \_\_\_\_\_

Power Supply \_\_\_\_\_ Volts \_\_\_\_\_ Hz \_\_\_\_\_ Phase \_\_\_\_\_

Installed At: \_\_\_\_\_ Date: \_\_\_\_\_

Notes: \_\_\_\_\_

---

---

---

---

---

---

---

---

---

---

## GUARANTEE

If, within a period of one year from date of shipment, any part of an R-W Electric "AUT-O-DOR" Operator is found defective due to poor materials or workmanship, new parts will be furnished free of charge F.O.B. manufacturer's plant, providing the equipment has been given normal and proper usage, lubrication, and maintenance and is still the property of the original purchaser and/or part of the original installation. THIS WARRANTY IS GIVEN IN LIEU OF ALL OTHER WARRANTIES, EXPRESS OR IMPLIED, AND THE MANUFACTURER MAKES NO IMPLIED WARRANTY OF MERCHANTABILITY BEYOND THE EXPRESS TERMS HEREOF. MANUFACTURER'S LIABILITY FOR DAMAGES, INCLUDING CONSEQUENTIAL DAMAGES, RESULTING FROM ANY SUCH DEFECTIVE PRODUCT IS STRICTLY LIMITED TO THE DELIVERY OF NEW PARTS, AS SET FORTH ABOVE.



CROWN INDUSTRIAL OPERATORS  
formerly Richards-Wilcox

213 Michelle Court  
South San Francisco, CA 94080  
(650) 952-5150  
Fax: (650) 873-1495